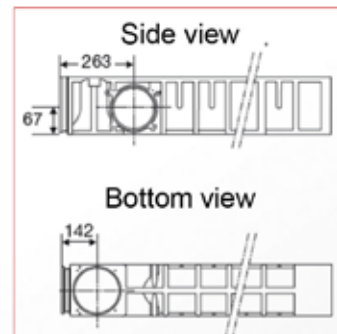
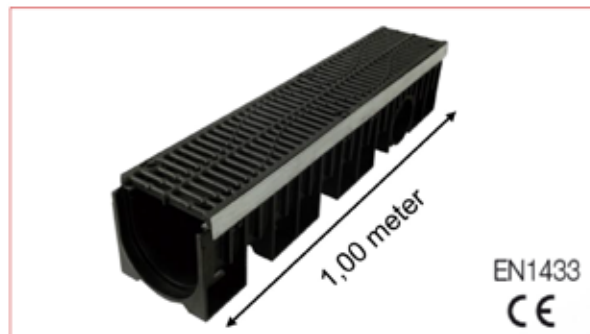
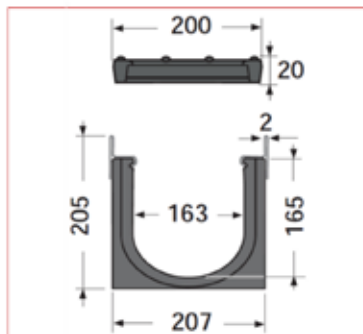
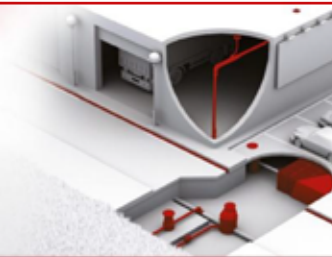


Kenadrain I Channel 150mm wide with cast iron gratings class B125

Code: DR152BF



FUNCTION:

The drainage channel is designed to drain run-off water. In accordance with EN1433 standard and the marking, it can be used in footways, pedestrian areas, private car parks or car parking decks in class B125.

DESCRIPTION:

It consists of:

- an injected recycled polypropylene black body
- two galvanized steel edges
- two black cast iron gratings class B125
- locking system with 2 bolts per grating



ACCESSORIES:

To connect the channels to the underground network:

- end cap/end outlet Ø125 – NXDR152
- lateral outlet Ø125 – SXDR10
- vertical outlet Ø160 – SZDR20
- sump unit with outlet Ø160 – PS150Z

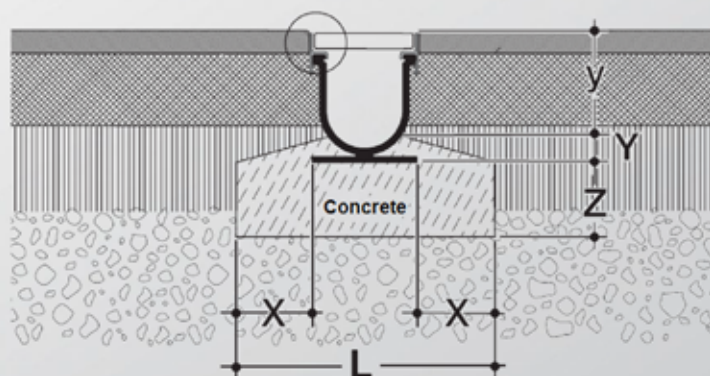


CARACTERISTICS:

Resistance class: B125
 Effective width: 163 mm
 Effective depth: 165 mm
 Grating type: Cast iron
 Drainage surface: 870 cm²/ml
 Hydraulic section: 240.8 cm²
 Opening dimensions: 14 / 169 mm
 Weight: 20.5 Kg

IMPLEMENTATION:

X = 152 mm; L = 440 mm
 Z = 150 mm; Y = 95 mm; y = 25 mm



QUALITY - ENVIRONMENT:

ISO 9001
 ISO 14001
 ISO 50001
 BUREAU VERITAS
 Certification



DATE: August 2014