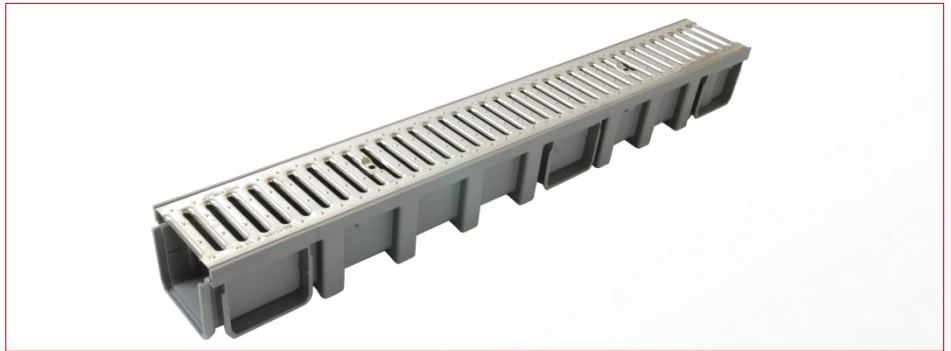
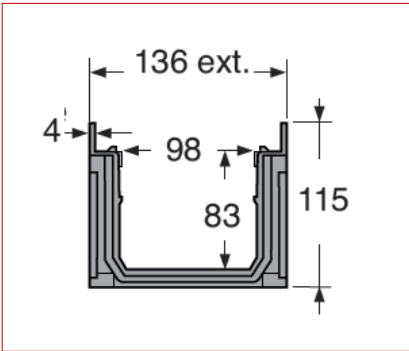


Connecto Drainage channel with slotted stainless steel grating

Code : CAN10API



■ FUNCTION :

The drainage channel is designed to evacuation run-off water. In accordance with the EN1433 standard and the **CE** marking, it can be used in private area for all building applications, the environment of home, parks and gardens in class A15.

■ DESCRIPTION :

This drainage channel is one-meter-long. It consists of:

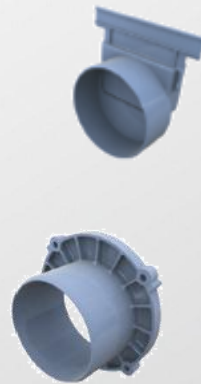
- a one-meter-long polypropylene body with a male/female interlocking joint system
- a one-meter long slotted stainless steel AISI 304 grating

Optional: possibility of stainless steel AISI 304 edges (ref CAN110API)

■ ACCESSORIES :

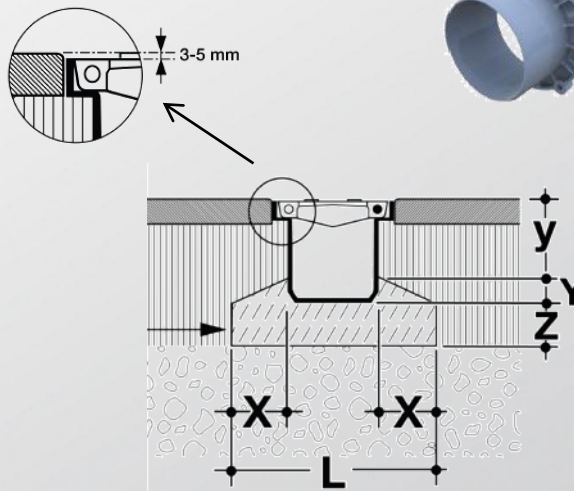
The connection to the sewage can be achieved through the following PVC fittings:

- Ø 100 End cap & inlet-outlet cap - NAT177
- Ø 110 End cap & inlet-outlet cap - NAV177
- Ø 100 Vertical and lateral outlets - STCAN
- Ø 110 Vertical and lateral outlets - SVCAN



■ CHARACTERISTICS :

Class of resistance: A15
 Drainage surface : 260 cm²/ml
 Opening dimension: 10 x 80 mm
 Weight: 3,3 Kg



■ IMPLÉMENTATION :

Concrete quality: B20
 X = 60 mm; L = 250 mm; Z = 50 mm;
 Y = 30 mm; y = 90 mm

■ QUALITY - ENVIRONMENT :



DATE November 2012.