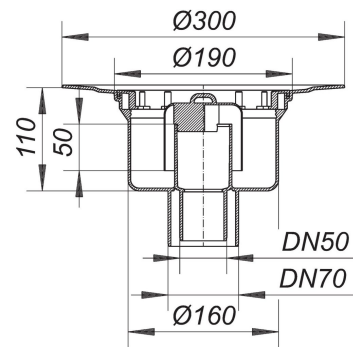


20. August 2020

DALLMER**Floor drain body type 61 HT, DN 50/DN 70**

Product No. **611055**
 EAN: 4001636611055
 Discount group: 3



conforming to DIN EN 1253
 outlet vertical spigot, for connection to plastic pipework

specification

- removable trap insert, 50 mm water seal (conforming to DIN EN 1253)
- temporary blanking plate

material

polypropylene

The outlet connector can be supplied in ABS to suit British Standard sizes and PE-HD conforming to DIN EN 1519. Please enquire.

For sizes up to DN 70, fire protection system 1 may be used (Part No. 515018), DN 100 with fire protection system 2 (Part No. 515025).

DN 70 connects to BS4514 75 mm pipework with 880345 adaptor

Flow rate tested to DIN EN 1253
 (with 20 mm water over grate)

| | Norm | DALLMER |
|-------|---------|----------|
| DN 50 | 0.8 l/s | 1.78 l/s |
| DN 70 | 0.8 l/s | 1.97 l/s |