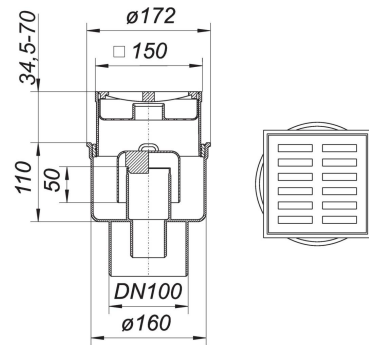


20. August 2020

DALLMER**utility drain type 61 AK, DN 100**

Product No. **610867**
 EAN: 4001636610867
 Discount group: 3



conforming to DIN EN 1253
 outlet DN 100 vertical

specification

- trap insert, 50 mm water seal (conforming to DIN EN 1253)
- height adjustable grating
- hair sieve

material

polypropylene

frame polypropylene, 150 x 150 mm, grate polyamide, load class K 3 (300 kg), stainless steel grate available on request.

Flow rate tested to DIN EN 1253
 (with 20 mm water over grate)

	Norm	DALLMER
DN 100	1.4 l/s	1.7 l/s