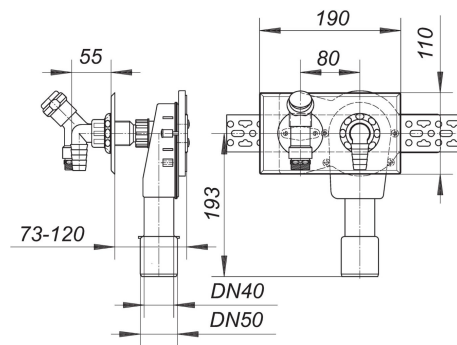


20. August 2020

washing machine or dishwasher trap type 406, DN 40/DN 50

Product No. **130600**
EAN: 4001636130600
Discount group: 1



specification:

- compact recessed body
- sound-absorbing backing plate
- fixing bracket
- cold water feed
- 1/2" on/off valve with back flow preventor and air-admittance valve
- inlet hose connector, chrome
- recess depth 73 - 120 mm
- spacer

material:

polyethylene trap-body for welding HDPE
Tested by: DVGW (on/off valve)

for horizontal installation, cover plate stainless steel 190 x 110 mm

If installed with only sound insulated contact against the building structure, the requirements of all classes of sound proofing confirming to DIN 4109.10, table 1 and 2 are fulfilled.