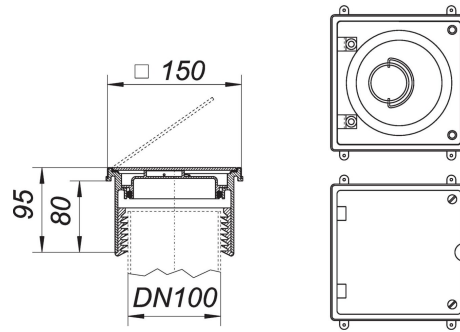


10. May 2022

rodding eye DN 100 SML, 150 x 150 mm

Product No. **510518**
EAN: 4001636510518
Discount group: 4



for floor or wall installation

specification:

- rapid plug
- stands 5.0 m head back-pressure

material:

spigot in ABS, plug in polypropylene

push fit to SML cast iron pipework DN 100

frame 304 stainless steel, hinged cover 304 stainless steel, secured, class L 15 (1,5 t)